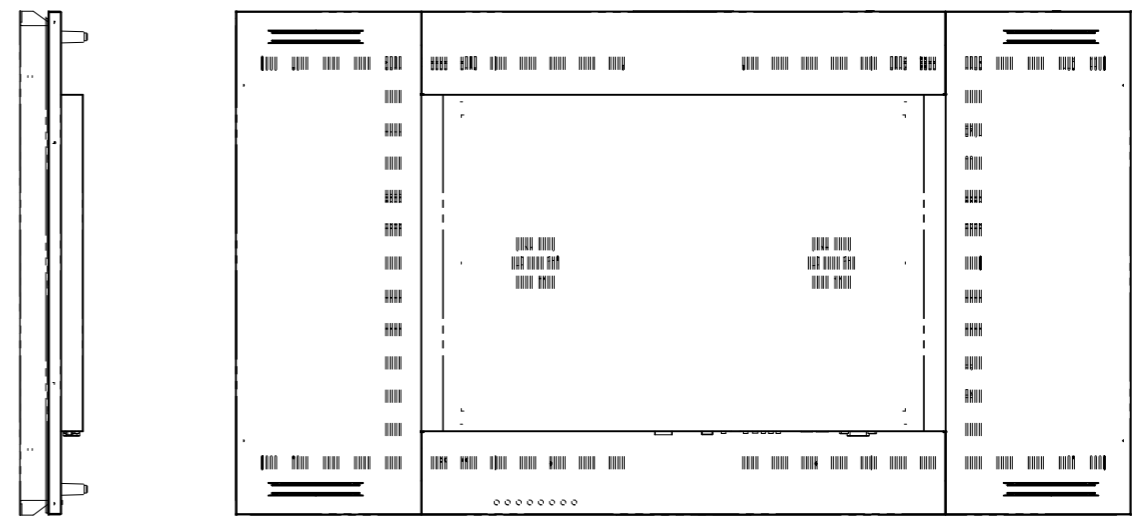
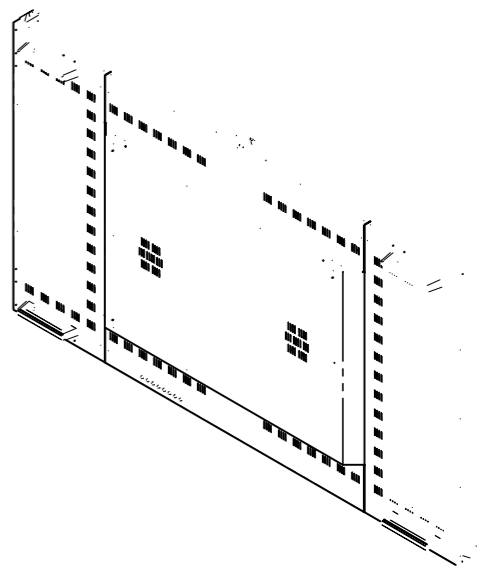
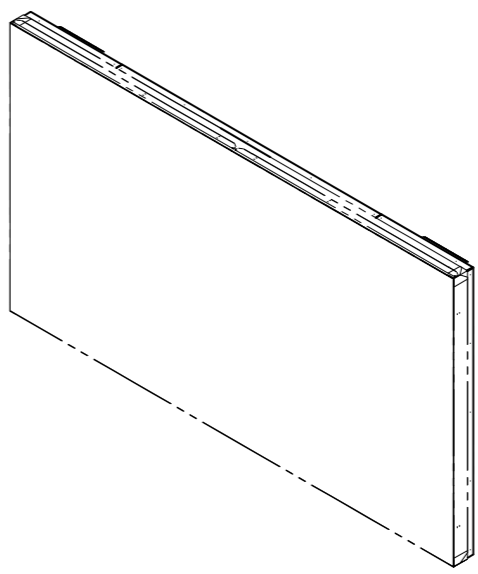
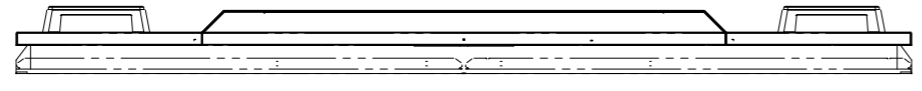


This drawing is the property of HYUNDAI IT CO.,LTD. and should not be disclosed to any third party without prior permission of HYUNDAI IT CO.,LTD..

A B C D E F G H I J

REV. NO		REV. HISTORY	LTR	ECO NO	DATE	APPR'L
DWG	PART					
00	00	INITIAL RELEASE	-	-	-	-



NOTES,

1. LCD Panel : 55" RNB
2. Cabinet Material : E.G.I
3. Cabinet Color : Black
4. "J" Location : M4 Tap (2*8 Ea)

DRAWN	PLANNED	CHECKED	APPROVED	UNLESS OTHERWISE SPECIFIED ALL DIMENSION ARE IN MILLIMETERS	ANGLE 3rd.	TITLE : D55RFN(QFN) EXTERIOR VIEW	UNIT : mm
S.W.SEO	S.H.JANG	S.H.JANG	Y.T.KIM		SCALE : 1/10		TYPE : ASSY
'19.03.07	'19.03.07	'19.03.07	'19.03.07	TOLERANCES ARE : LINEAR : X±0.2 X±0.1 XX±0.01 ANGLES : ±0.1° RADII UNLESS NOTED : R 0.3		DWG(PART) NO. D55RFN(QFN)_001	SIZE : A3
HYUNDAI IT CO., LTD.				MODEL NAME (CODE): D55RFN(QFN)	CUSTOMER. HDIT		DWG REV : 00
				FILE NAME : LAYOUT_D55RFN_190307.DWG		SHT NO : 1/1	