

INDOOR DIGITAL SIGNAGE

VIDEO WALL TYPE SCREEN

CLASS

MODEL

55" D55BFD

KEY FEATURES

- Extreme Narrow Bezel, 2.6mm B to B
- Power Consumption Reduced at 40% Compared to Normal Display
- Built in Video Wall Function
- Portrait / Landscape Orientation
- High Connectivity
- UHD Resolution Daisy Chain up to 250units
- Remote Control (RS232)



HYUNDAI IT CO., LTD.

Broadcast your branding with HYUNDAI IT Digital Signage!

According to the advanced product design, HYUNDAI IT Digital Signage Display meets necessary requirements for various digital signage solutions. LED BLU products of HYUNDAI IT can be up to 40 percent more energy saving compare to normal display, and environmentally friendly for the Eco-display.



HYUNDAI IT CO., LTD.

SPECIFICATIONS

Model		D55BFD
Panel	Screen Size (diagonal)	55"
	Active Display Area (in mm)	47.62 x 26.79 1209.6 x 680.4
	Resolution	1920 x 1080
	Aspect Ratio	16 : 9
	Display Colors	1.07B
	Brightness (cd/m²; typ.)	500
	Contrast Ratio	1000 : 1
	Response Time (ms; GTG)	8
	Viewing Angle	178° / 178°
	Lifetime (hours)	100,000
Backlight type	LED	
Resolution	Monitor	1920 x 1080
Input		2x DP 1xVGA 2xHDMI 1xDVI 1xPC Audio 1xRS232C 1xIR 1xRJ45(RS232C) 1xUSB(F/W update)
Output		1xDP 1xRS232C
Power	Input Voltage	100 – 240V AC
	Power consumption	175W
Features	Multi-screen function (Loop)	DP RS232C IR
	Auto Cooling System	Yes
	Auto Power Control	Yes
Operation	Temperature (°C)	0 - 40
	Humidity (%)	20 - 80
	OSD Language	3Lang
Dimension	Set Size : W x H x D (inch mm)	47.72 x 26.89 x 3.35 1212.2 x 683 x 85
	Bezel to Bezel Size (in mm)	0.102362 2.6
	Wall Mounting hole : WxH (mm)	600 x 400 (M8)
Weight	Set (lb kg)	45.194 20.5

Specifications and design are subject to change without notice. See our website for detailed information.

HEAD OFFICE - HYUNDAI IT CO., LTD.
5F, 36, Sangil-ro 10-gil, Gangdong-gu, Seoul, 05288 Korea
Tel. +82 70 7008 0151 E-mail: ssoh@hyundaiit.com
www.hyundaiit.com

HYUNDAI IT AMERICA TECH CORP
2033 Gateway Place 5th Floor San Jose, CA 95110, USA
Tel. +1 408 627 4729 email : sales@hyundaita.com
www.hyundaiit.com

VIDEO WALL TYPE SCREEN

MODEL

CLASS

D55BFD 55"

FEATURES

LED Backlight

HYUNDAI IT's public displays with LED backlight bring the advantage of an up to 40% lower power consumption, compared to displays with CCFL backlight.

Exterme Narrow Bezel

Combined with the cutting edge function, Exterme narrow bezel design ensures a maximum screen area with unified images and a minimum of viewable interruptions.

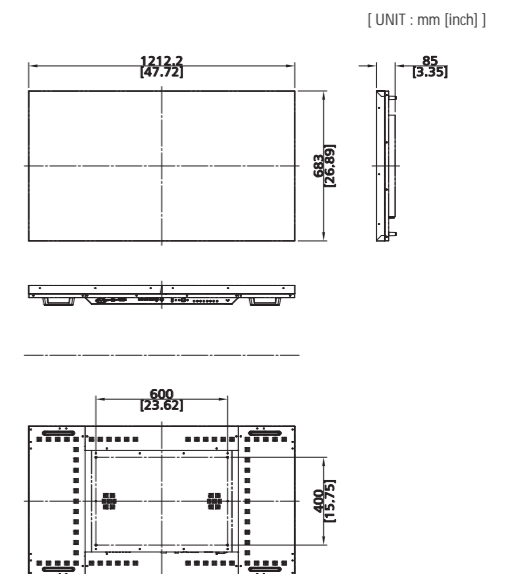
Easy operating OSD menu, Remote control

In order to setup a multi display wall, the single units are linked by a daisy chain connection over DVI. The configuration of each display can be easily set-up over the on-screen menu or the RS232C interface.

4K Daisy Chain up to 250units

No more peripheral devices needed to configure 4K native video contents, HYUNDAI IT's display enables high-end 4K @60Hz video contents simply loop through the daisy chain without image distortion.

DIMENSIONS



UPDATE: APR. 2022

HYUNDAI IBT GMBH
Carl-Zeiss-Str. 9 / 55129 Mainz, Germany
Tel. +49(0) 6131 275 5350 email : info@hyundaiit.eu
www.hyundaiit.eu